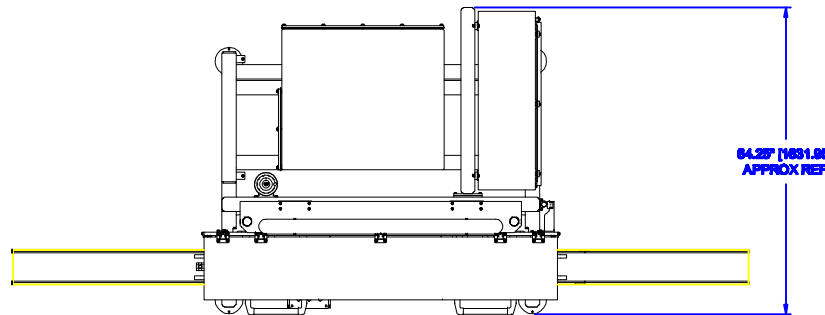
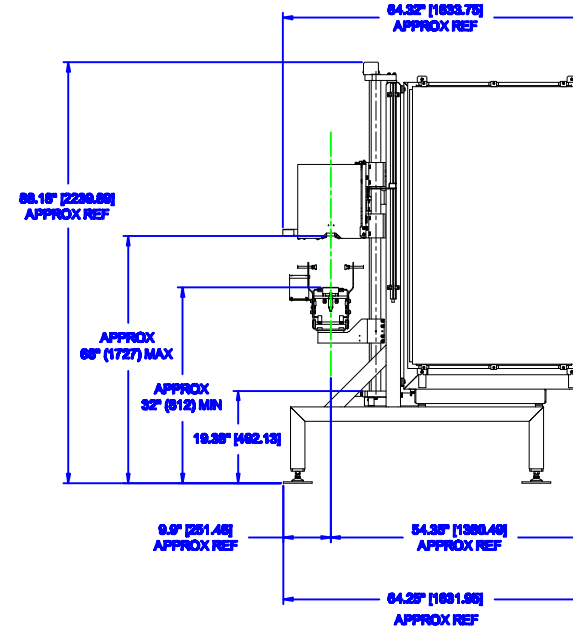
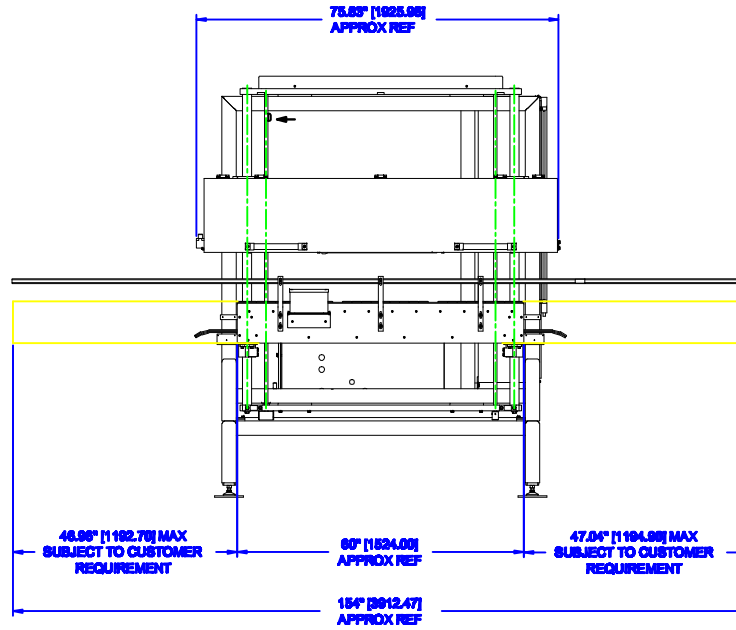


IF IN DOUBT ASK



issue	revisions	sg	date
-------	-----------	----	------



Bapco Closures Research Ltd.
 Runybridge Enterprise Centre
 Lower Faghall Road
 Jonesborough
 Co Armagh BT35 6SQ
 Northern Ireland
 www.bapcoclosures.com

title **APPROXIMATE SPEC. DIMENSIONS**

drawn	checked	scale	date	des. no.	revision
fs	ab	N.T.S.	22-10-08	13967	

CONFIDENTIAL

This document contains confidential information which is the exclusive property of Bapco Closures Research Limited. This document, or all or part of the information herein contained, may not be reproduced, transferred, used or disclosed without prior written authorisation from a director of Bapco Closures.